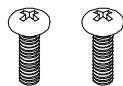
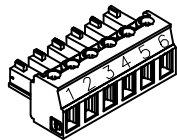
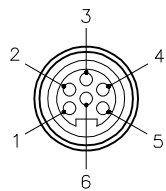


J1, J2 CONNECTOR

TERMINAL BLOCK PLUGS

COVER SCREWS INCLUDED



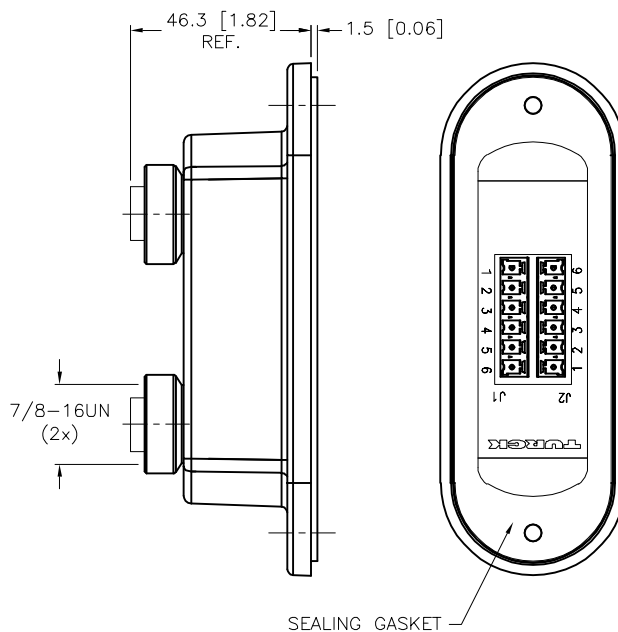
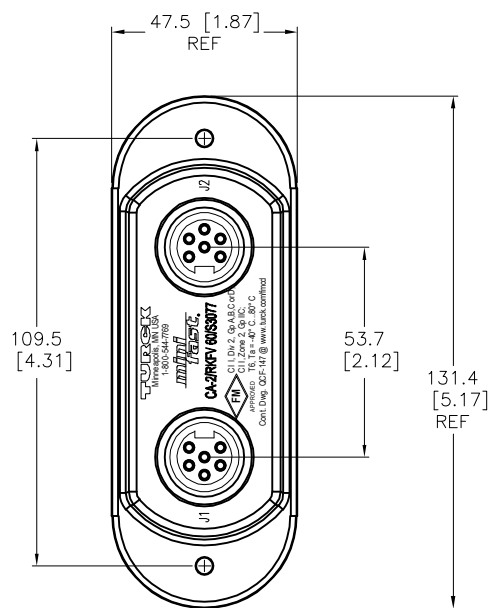
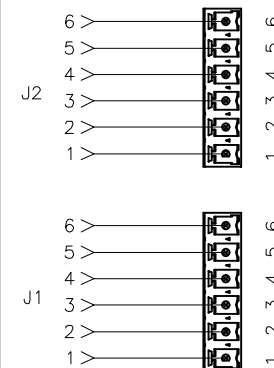
MARK 9 CONDUIT BODIES:
8-32 SCREWS



SPECIFICATIONS

HOUSING MATERIAL/COLOR	NYLON 66 - 33% GLASS FILLED/BLACK
RECEPTACLE HOUSING MATERIAL/FINISH	STAINLESS STEEL/PASSIVATED
CONTACT CARRIERS/COLOR	TPU/BLACK
CONTACT MATERIAL/PLATING	BRASS/GOLD
OPERATING VOLTAGE	250 V
OPERATING CURRENT	8.0 A PER CONDUCTOR
PROTECTION CLASS to DIN 40050	IP 67 - ONLY WHEN ALL RECEPTACLES ARE COVERED WITH PLUGS OR CONNECTED
OPERATING TEMPERATURE	-30°C to +80°C (-22°F to +176°F)

WIRING DIAGRAM



SOURCE DRAWING - FOR REFERENCE ONLY

NOTES:

1. "/S3077" DESIGNATES ADAPTOR PLATE FOR 3/4" FORM 7 TYPE CONDUIT BODIES ADDED TO THE STANDARD CONDUIT COVERS. (SEE PAGE 2)

RELATED DOCUMENTS 1. 2. 3. 4.	3RD ANGLE PROJECTION	THIS DRAWING IS CONFIDENTIAL AND THE PROPERTY OF TURCK INC. USE OF THIS DOCUMENT WITHOUT WRITTEN PERMISSION IS PROHIBITED.	3000 CAMPUS DRIVE MINNEAPOLIS, MN 55441 1-800-544-7769 (763) 553-7300 (763) 553-0708 fax www.turck.us	
			DRFT RDS	DATE 08/24/10
MATERIAL SEE SPECIFICATIONS	ALL DIMENSIONS DISPLAYED ON THIS DRAWING ARE FOR REFERENCE ONLY	APVD	SCALE 1=2.0	IDENTIFICATION NO. U2-18064
FINISH SEE SPECIFICATIONS		UNIT OF MEASUREMENT MILLIMETER [INCH]		
DO NOT SCALE THIS DRAWING		FILE: U2-18064		SHEET 1 OF 2



F	UPDATE CLICHE	NF	12/04/25	500000011965
REV	DESCRIPTION	BY	DATE	ECO NO.